



Sheer
Driving Pleasure



THE NEW BMW Z4.

BMW EFFICIENT DYNAMICS.
LESS EMISSIONS. MORE DRIVING PLEASURE.

THE NEW BMW Z4.



18 Highlights



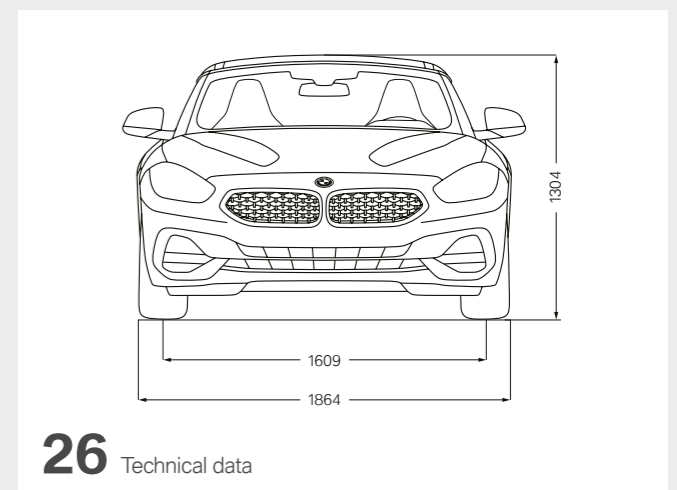
20 Worlds of colour



24 Wheels and tyres / Original BMW Accessories

DIGITAL DISCOVERY: THE NEW BMW BROCHURES APP.

More information, more driving pleasure: The new BMW brochures app offers you a brand new digital and interactive BMW experience. Download the BMW brochures app for your smartphone or tablet now and explore new perspectives of your BMW.



26 Technical data



TIME TO
OPEN UP.



LIFE IS BEAUTIFUL.

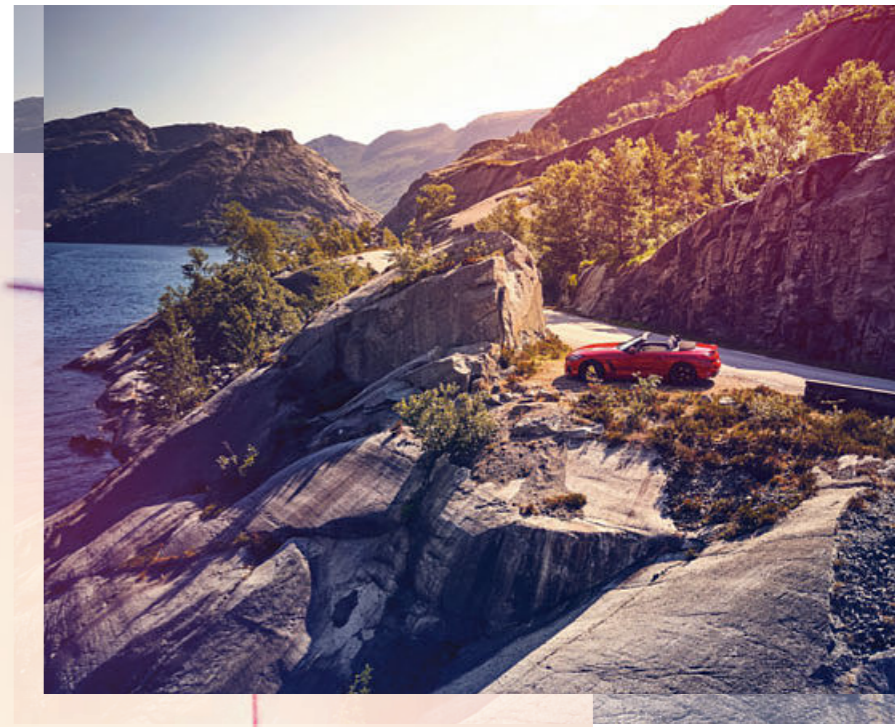




FOR EXPERIENCE COLLECTORS.



RAYS OF SUNLIGHT.





TO IDOLISE.

RATIONALLY
BREAKS EVERY RULE.



STATEMENT OF INDEPENDENCE.



Expressive roadster design Wide front with continuous “clam shell” bonnet II Large double kidney grille in new “mesh design” II New design for the adaptive LED headlights¹ with vertically arranged tubes II Roll bars with integrated wind deflector¹. **Dynamic appeal, comfortable equipment** Instrument panel in Sensatec^{1,2} II Clearly defined functional islands II Driver-oriented cockpit design. **Performance, open to the top** M sport differential^{1,2} II Adaptive M suspension^{1,2} II M Sport brake^{1,2} II Sporty handling through improved steering II Low centre of gravity. **Next-level driver assistance and connectivity** Display network consisting of information display and instrument cluster with 10.25”^{3,4} display II Innovative BMW Operating System 7.0^{3,4} II BMW Head-Up Display⁵. **A new interpretation of freedom – the new BMW Z4.**

¹ Available as optional equipment.

² Standard for M40i.

³ Available as standard up to 07/2019.

⁴ For sDrive20i only available in conjunction with additional equipment.

⁵ The information in the BMW Head-Up Display is not fully visible when viewed through polarised sunglasses. Content shown will depend on the equipment options chosen. Further optional equipment is required for the display.

HIGHLIGHTS.

Discover more with the new BMW catalogue app. Now available for your smartphone and tablet.

■ Standard equipment □ Optional equipment



□ The basic configuration of the new BMW Z4 sDrive20i consists of the optional Glaciersilber metallic paint finish and optional 18" light alloy wheels V-spoke style 770 in Ferric Grey with mixed tyres.



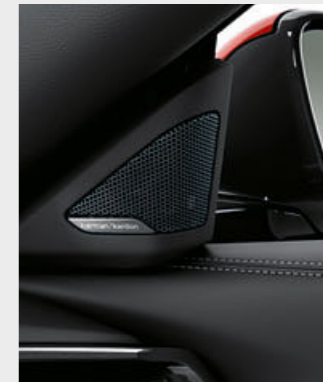
□ The powerful M Sport brake^{1,2} features large brake discs and exclusive blue-painted brake callipers with the M logo.



□ The 8-speed Steptronic Sport transmission^{3,4} allows very sporty gear changes both automatically and manually via shift paddles or gear selector lever.



□ The M sports seats^{2,5} with integrated headrests, deep seats and high seat and backrest bolsters offer the driver and front passenger improved support, even in fast turns. In addition, the seat can be adjusted to your individual body dimensions thanks to the integrated backrest width adjustment.



□ Harman Kardon Surround Sound System⁶ with 408-watt digital amplifier, seven channels, vehicle-specific equalizing and twelve loudspeakers.



□ The full-colour BMW Head-Up Display⁸ projects information relevant to the journey directly into the driver's field of vision.



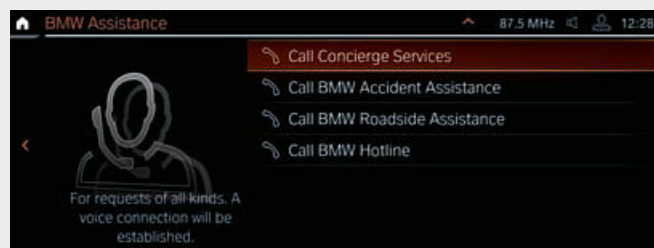
□ Adaptive LED headlights⁹ with full LED technology include integrated turn indicators, low beam headlights, high beam headlights, as well as daytime running lights for safety and optimal illumination of the road. The glare-free High-beam assistant and Adaptive Headlights with variable light control significantly improve visibility in the dark for more relaxed driving almost like during the day.



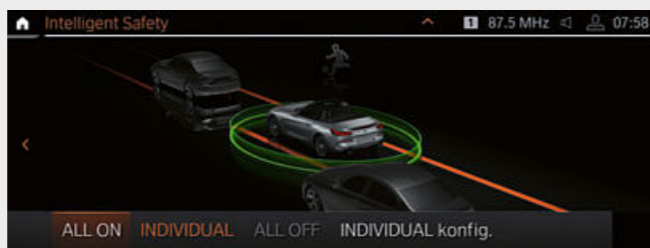
□ Ambient light creates a relaxed, cosy lighting atmosphere in the interior. There are eleven predefined light designs available in six different colours, with contour and ambient lighting on the instrument panel, door trim and centre console.



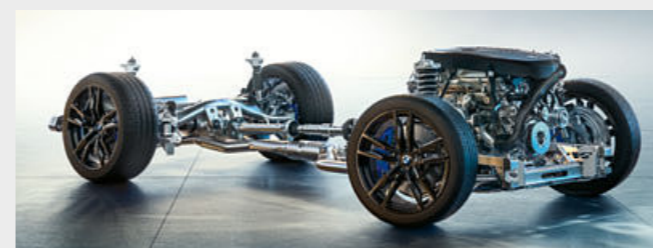
□ The new BMW Z4 sDrive30i with the M Sport package in Misano Blue metallic and optional 19" M light alloy wheels Double-spoke style 799 M in Bicolour Jet Black, gloss-lathed, with mixed tyres.



□ Concierge Service, Remote Services, Real Time Traffic Information or Preparation for Apple CarPlay[®]? Why choose individual options when you can have everything together? With the Connected Package Professional⁶, you can enjoy these services from BMW ConnectedDrive as well as free additional services to test.



□ The safety package Driving Assistant^{5,7} includes the camera-based systems approach control warning and person warning with full city braking function, Speed Limit Assist incl. Speed Limit Info with No-overtaking indicator with preview and Lane Departure Warning. Additionally, the radar-based equipment includes Crossing traffic warning rear, Lane Change Warning and Rear collision warning.



□ The Adaptive M suspension² can be electrically adjusted at any time to suit the road and driving conditions. Drivers can also adjust the suspension characteristics via the Driving Experience Control to enable their preferred driving style at the time – from comfortable to extremely athletic with markedly agile handling.



□ The BMW Live Cockpit Professional with navigation function includes a high-quality display network consisting of a high-resolution 10.25" Control Display that can be operated by touch and a fully digital instrument display of the same size.^{9,10}

¹ Only available in conjunction with M Sport package.
² Standard for M40i.
³ Standard for sDrive30i and M40i.

⁴ For sDrive20i, available as standard up to 07/2019.
⁵ Only available in conjunction with additional equipment.
⁶ The duration is three years.
⁷ Function may be limited in darkness or in fog.

⁸ The information in the BMW Head-Up Display is not fully visible when viewed through polarised sunglasses. Content shown will depend on the equipment options chosen. Further optional equipment is required to display specific items.
⁹ Available as standard up to 07/2019.
¹⁰ For sDrive20i only available in conjunction with additional equipment.

Some ConnectedDrive Services may differ between countries. Please consult your local BMW partner for more information.
The Standard and Optional equipment may differ between countries. Please consult your local BMW partner for more information.

EXTERIOR COLOURS.

Discover more with the new BMW catalogue app. Now available for your smartphone and tablet.

■ Standard equipment □ Optional equipment



■ Non-metallic 300 Alpine White

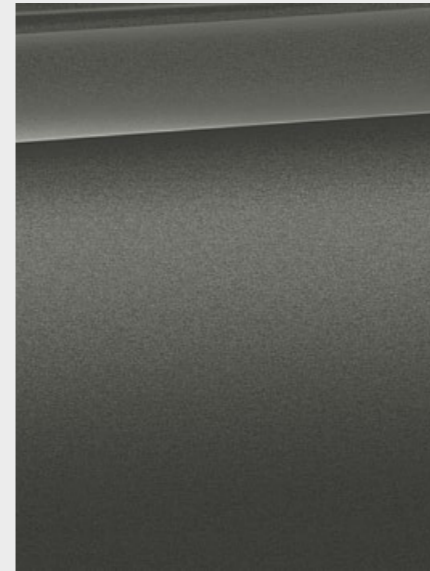


□ Metallic A96 Mineral White¹



□ Metallic A83 Glacier Silver¹

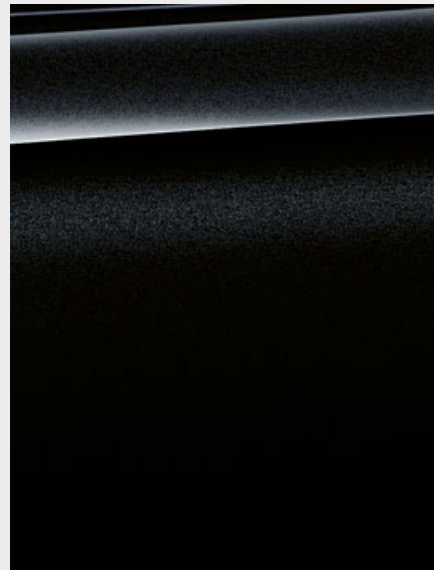
BMW INDIVIDUAL



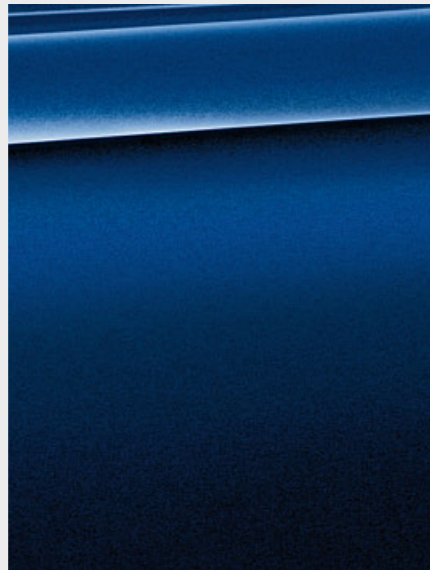
□ BMW Individual C37 Frozen Grey metallic²



□ BMW Individual C41 Frozen Orange metallic³



□ Metallic 475 Black Sapphire¹



□ Metallic C10 Mediterranean Blue¹



□ Metallic C34 San Francisco Red¹

M SPORT PACKAGE



□ Metallic C1D Misano Blue²

[Colour samples] These colour samples are intended as an initial guide to the colours and materials available for your BMW. However, experience has shown that printed versions of paint, upholstery and interior trim colours cannot in all cases faithfully reproduce the appearance of the original colour. Please discuss your preferred colour choices with your BMW partner or in your dealership. There you can also see original samples and be assisted with special requests.

¹ Optionally available with the M Sport package and M40i.
² Exclusively available for the M Sport package and M40i.
³ Exclusively available for M40i up to 07/2019.

The Standard and Optional equipment may differ between countries. Please consult your local BMW partner for more information.

INTERIOR COLOURS.

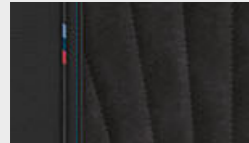
Discover more with the new BMW catalogue app. Now available for your smartphone and tablet.

■ Standard equipment □ Optional equipment



CLOTH/LEATHER COMBINATION

Available with



■ **M Sport package**

Leather 'Vernasca' / Alcantara combination HCNL Black, contrast stitching Blue¹

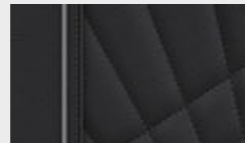
LEATHER

Available with



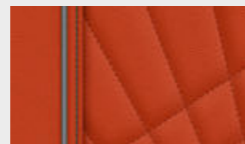
□ **Sport Line**
□ **M Sport package**

Leather 'Vernasca' MAEY Ivory White decor stitching, interior colour Black



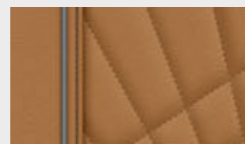
■ **Sport Line**
□ **M Sport package**

Leather 'Vernasca' MAH7 Black decor stitching, interior colour Black



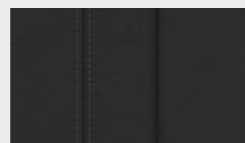
□ **Sport Line**
□ **M Sport package**

Leather 'Vernasca' MAKN Magma Red decor stitching, interior colour Black



□ **Sport Line**
□ **M Sport package**

Leather 'Vernasca' MAPQ Cognac decor stitching, interior colour Black



■ **Base**

Leather 'Vernasca' MASW Black, interior colour Black

INTERIOR TRIM

Available with



■ **Base**

Interior trim finishers Quartz Silver matt.



□ **Base**
□ **Sport Line**
□ **M Sport package**

Interior trim finishers Aluminium 'Mesheffect'.



□ **Base**
■ **Sport Line**
■ **M Sport package**

Interior trim finishers black high-gloss.



□ **M Sport package**

Interior trim finishers Aluminium Tetragon.¹

Please note that even normal long- or short-term use can lead to unrecoverable upholstery damage. This can be caused in particular by non-colourfast clothing.

Please note that the interior colour depends on the selected upholstery colour.

¹ Standard for M40i.

WHEELS AND TYRES.

Discover more with the new BMW catalogue app. Now available for your smartphone and tablet.



■ 17" light alloy wheels V-spoke style 768 in Reflex Silver with mixed tyres and runflat tyres, front wheel size 7.5J x 17, 225/50 R17 tyres, rear wheel size 8.5J x 17, 255/45 R17 tyres.



□ 18" light alloy wheels V-spoke style 770 in Ferric Grey with mixed tyres, front wheel size 8J x 18, 225/45 ZR18 tyres, rear wheel size 9J x 18, 255/40 ZR18 tyres.¹



□ 18" alloy wheels V-spoke style 770 in Bicolour Orbit Grey with mixed tyres, burnished, front wheel size 8J x 18, 225/45 ZR18 tyres, rear wheel size 9J x 18, 255/40 ZR18 tyres.^{1,3}



□ 18" M light alloy wheels Double-spoke style 798 M in Bicolour Ferric Grey with mixed tyres, burnished, front wheel size 8J x 18, 225/45 ZR18 tyres, rear wheel size 9J x 18, 255/40 ZR18 tyres.^{1,6}



□ 18" M alloy wheels Double-spoke style 798 M in Bicolour Orbit Grey with mixed tyres, burnished, front wheel size 9J x 18, 255/40 ZR18 tyres, rear wheel size 10J x 18, 275/40 ZR18 tyres.^{2,5}



□ 19" light alloy wheels V-spoke style 772 in Bicolour Ferric Grey with mixed tyres, burnished, front wheel size 9J x 19, 255/35 ZR19 tyres, rear wheel size 10J x 19, 275/35 ZR19 tyres.^{1,3}



□ 19" M light alloy wheels Double-spoke style 799 M in Bicolour jet black with mixed tyres, burnished, front wheel size 9J x 19, 255/35 ZR19 tyres, rear wheel size 10J x 19, 275/35 ZR19 tyres.⁴



□ 19" M light alloy wheels Double-spoke style 800 M in Bicolour Cerium Grey with mixed tyres, burnished, front wheel size 9J x 19, 255/35 ZR19 tyres, rear wheel size 10J x 19, 275/35 ZR19 tyres.⁵



□ 19" M alloy wheels Double-spoke style 799 M in jet black uni with mixed tyres, front wheel size 9J x 19, 255/35 ZR19 tyres, rear wheel size 10J x 19, 275/35 ZR19 tyres.⁴

¹ Not available for M40i.

² Standard for M40i.

³ Only available in conjunction with Sport Line.

⁴ Only available in conjunction with M Sport package or for M40i.

⁵ Not available for M40i.

⁶ Only available in conjunction with M Sport package.

ORIGINAL BMW ACCESSORIES.

Equipment 24 | 25

■ Standard equipment □ Optional equipment ○ Accessories



○ High-quality 17" BMW light alloy wheels V-spoke style 768 in Ferric Grey with mixed tyres and runflat tyres. TPMS winter complete wheels, wheel size front 7.5J x 17 with 225/50 R17 tyres, wheel size rear 8J x 17 with 225/50 R17 tyres.



○ High-quality 18" BMW light alloy wheels Double-spoke style 798 M in Orbit Grey with mixed tyres. TPMS winter complete wheels, wheel size front 8.5J x 18 with 255/40 R18 tyres, wheel size rear 9J x 18 with 255/40 R18 tyres.



○ The floating hub cap consists of the BMW logo that no longer turns with the wheel but instead remains level. The hub cap can be mounted to all BMW light alloy wheels with a pitch circle diameter of 112 mm.



○ The high-quality BMW valve caps from aluminium protect TPMS aluminium valves effectively from dirt and moisture. At the same time, they enhance the appearance of the tyre. With BMW logo.



○ The perfectly fitted, durable BMW all-weather floor mats with a raised border and elegant design protect the footwell against moisture and dirt. They are black and feature a black-silver Z4 inlay.



○ The BMW wireless charging cover enables inductive charging of the Apple iPhone™ 7 Plus. This innovative mobile phone case is compatible with all Qi certified chargers and also serves as a protective cover.

Discover the wide range of innovative solutions available for the exterior and interior, communication and information, and for transportation and the luggage compartment. Your BMW Partner is on hand to advise you on the whole range of Original BMW Accessories and can also provide you with a special accessories catalogue.

For further information, please visit www.bmw.com/accessories

The Standard and Optional equipment may differ between countries. Please consult your local BMW partner for more information.

BMW Z4		sDrive20i	sDrive30i	M40i
Weight				
Unladen weight EU ¹	kg	1495	1505	1610
Maximum permissible weight	kg	1740	1740	1860
Permitted load	kg	320	310	325
Luggage compartment capacity	l	281	281	281
Engine²				
Cylinders/valves		4/4	4/4	6/4
Capacity	cc	1998	1998	2998
Rated output/rated engine speed	kW (hp)/rpm	145 (197)/4500–6500	190 (258)/5000–6500	250 (340)/5000–6500
Max. torque/engine speed	Nm/rpm	320/1450–4200	400/1550–4400	500/1600–4500
Power transmission				
Type of drive		Rear-wheel	Rear-wheel	Rear-wheel
Standard transmission		8-speed Steptronic Sport	8-speed Steptronic Sport	8-speed Steptronic Sport
Performance				
Top speed	km/h	240	250 ⁴	250 ⁴
Acceleration 0–100 km/h	s	6.6	5.4	4.5
Consumption^{2,3} – All engines conform to the EU6 standard				
Combined	l/100 km	6.8–7.3	7.0–7.5	8.4–8.5
Exhaust emissions standard (type-certified)		EU6d-temp	EU6d-temp	EU6d-temp
Combined CO ₂ emissions	g/km	156–166	159–172	191–193
Tank capacity, approx.	l	52	52	52
Wheels/tyres				
Tyre dimensions		Front: 225/50 R17 94 W Rear: 255/45 R17 98 W	Front: 225/50 R17 94 W Rear: 255/45 R17 98 W	Front: 255/40 ZR18 95 Y Rear: 275/40 ZR18 99 Y
Wheel dimensions		Front: 7.5 J x 17 Rear: 8.5 J x 17	Front: 7.5 J x 17 Rear: 8.5 J x 17	Front: 9.0 J x 18 Rear: 10.0 J x 18
Material		Light alloy	Light alloy	Light alloy

The figures for performance, fuel consumption and CO₂ emissions refer to vehicles with standard transmission. Figures in [] are for vehicles with Steptronic transmission.

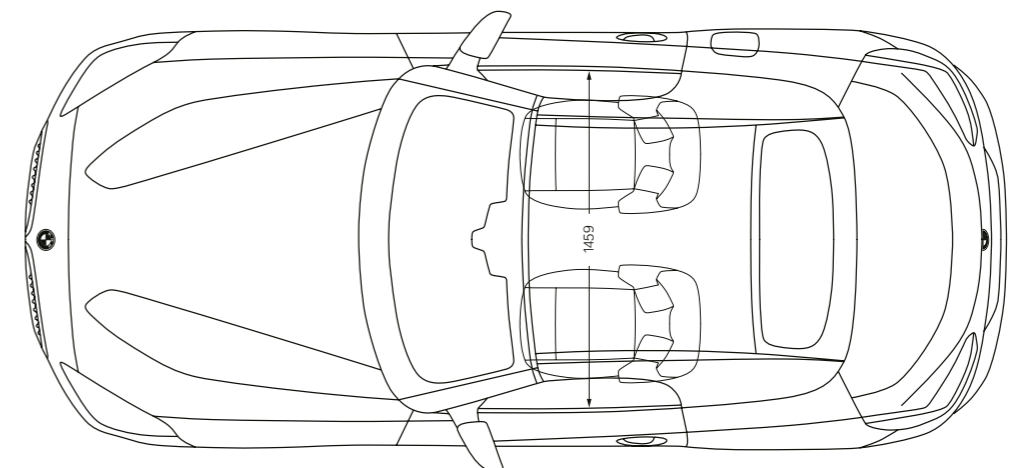
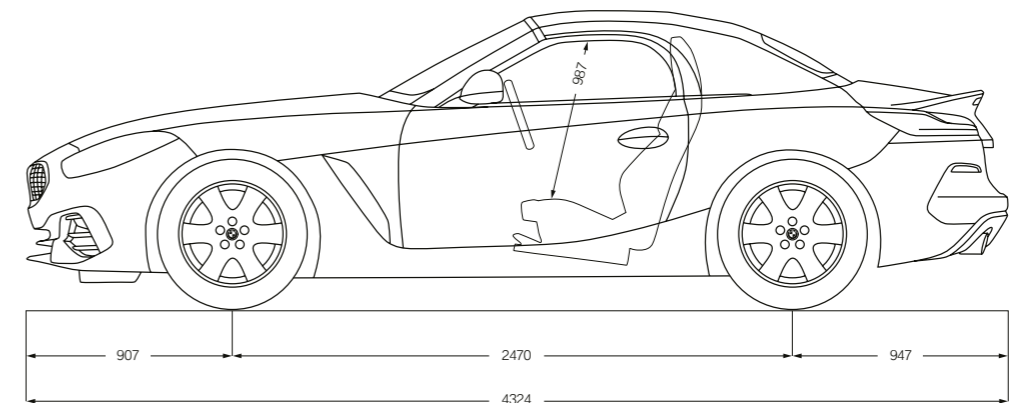
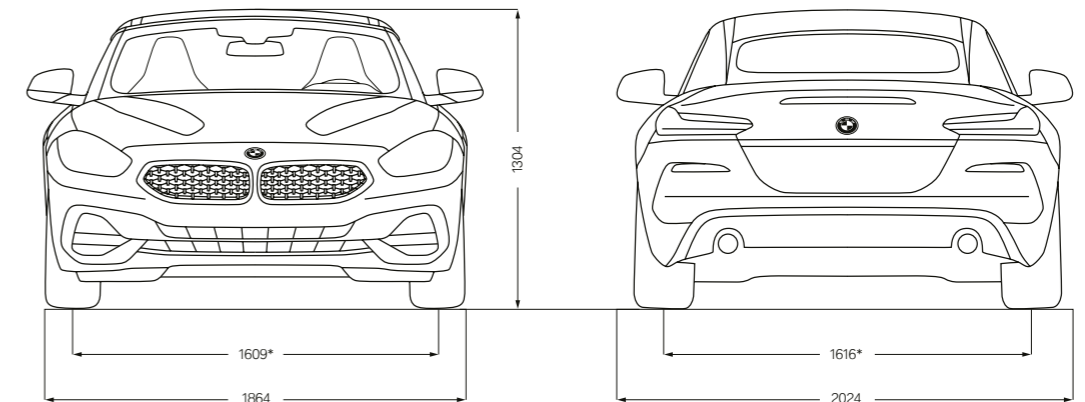
¹ The EC unladen weight refers to a vehicle with standard equipment and does not include any optional extras. The unladen weight includes a 90% full tank and a driver weight of 75 kg. Optional equipment may affect the weight of the vehicle, the payload and the top speed if the selected equipment has an impact on the vehicle's aerodynamics.

² Performance data of petrol engines apply to vehicles using RON 98 fuel. Fuel consumption data apply to vehicles using reference fuels in accordance with EU Regulation 2007/715. Unleaded RON 91 and higher with a maximum ethanol content of 10% (E10) may also be used. BMW recommends RON 95 super unleaded petrol.

³ The data for fuel consumption, CO₂ emissions and energy consumption are determined in accordance with the measurements processes as defined by European Regulation (EU) 715/2007 in the applicable version. Data refer to a vehicle with base-level equipment in Germany, and the ranges account for differences according to the selected wheel and tyre size and the optional equipment. For these vehicles, values other than those specified here may apply for the assessment of taxes and other vehicle-related charges that are (also) based on CO₂ emissions. Version 03/07/2019

⁴ Electronically limited.

Figures in [] are for vehicles with Steptronic transmission.



* Different value for M40i – front track width: 1594 mm, rear track width: 1589 mm

BMW Z4 M40i:

M TwinPower Turbo inline 6-cylinder petrol engine, 250 kW (340 hp), 19" M light alloy wheels Double-spoke style 799 M Jet Black uni, exterior colour in San Francisco Red metallic, M Sport seats in leather Vernasca Ivory White with decor stitching, interior trim finishers Aluminium 'Mesheffect', instrument panel in Sensatec, BMW Individual high-gloss Shadow Line with extended contents.

Disclaimer:

The models illustrated in this brochure show the equipment and configuration options (standard and optional) for vehicles produced by BMW AG for the German market. Alterations in standard and optional equipment and the configurations available for the different models, as described in this brochure, may occur after 15/11/2018, the date when this brochure went to press, or according to the specific requirements of other markets. The value and equipment might differ from what is actually supplied in the market. For further information please contact your local BMW authorized partner. Subject to change in design and equipment.

© BMW AG, Munich, Germany. Not to be reproduced wholly or in part without prior written permission of BMW AG, Munich.

411 004 081 36 1 2019 BC. Printed in Germany 2019.